

SORENTO

Assembly instruction

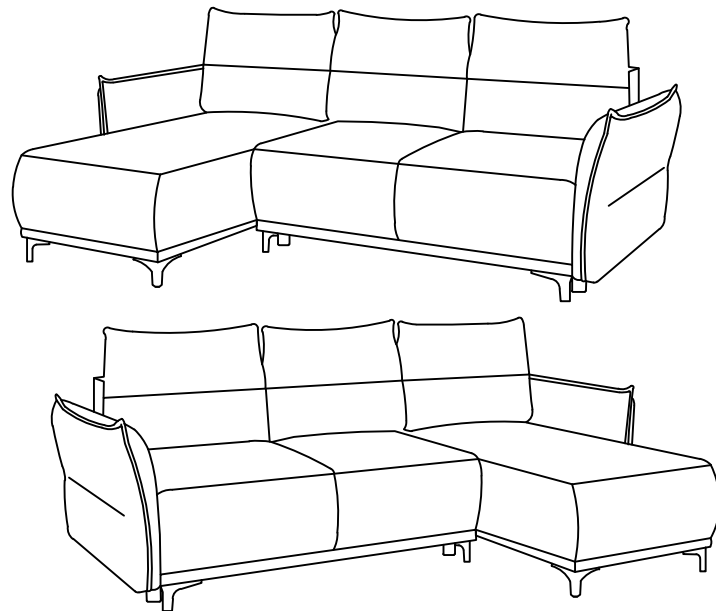
Left / Right switchable

IMPORTANT INFORMATION!

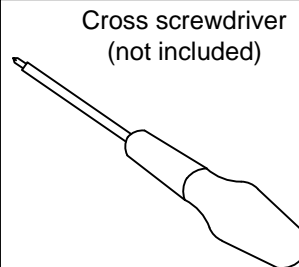
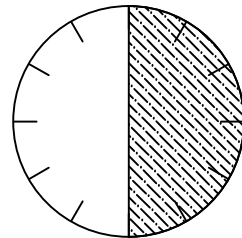
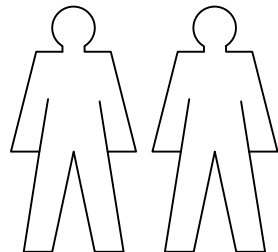
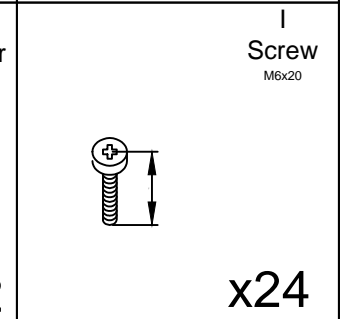
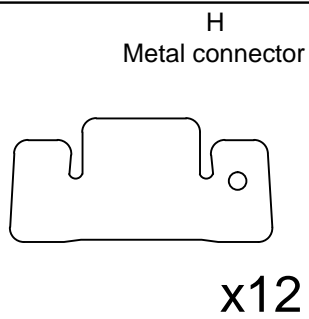
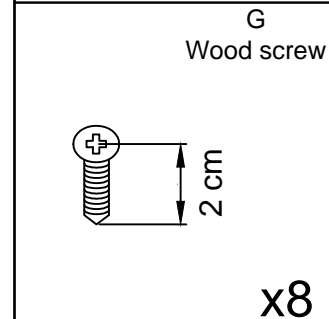
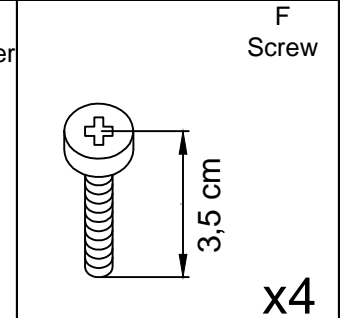
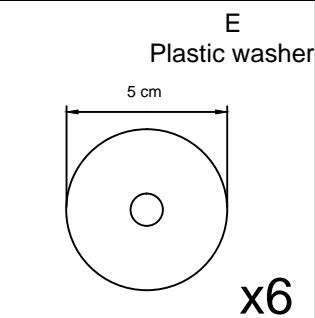
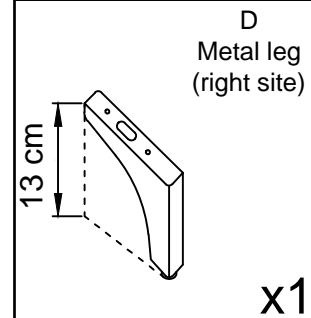
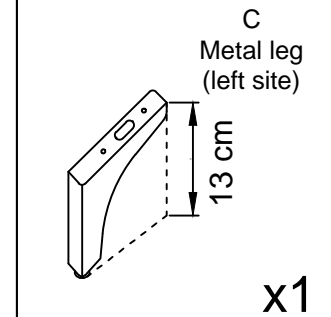
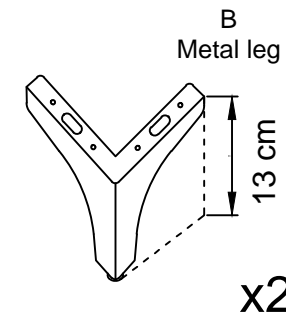
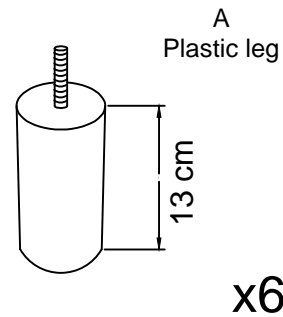
Please read the entire manual carefully before starting to assemble and/or using this product. Follow the manual thoroughly and keep it for further reference.

WARNING TO AVOID SCRATCHES!

In order to avoid scratching this furniture should be assembled on a soft loayer - could be a rug.



PART LIST



WARNING

If any parts are missing, broken, damaged or worn, stop using the sofa until repairs are made and factory replacement are installed.

SORENTO

Assembly instruction

1

H
Metal
connector
4x

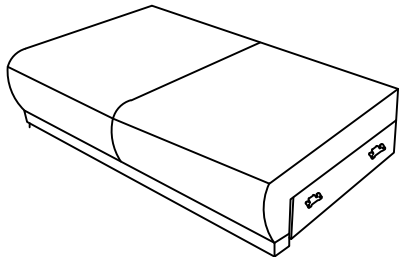
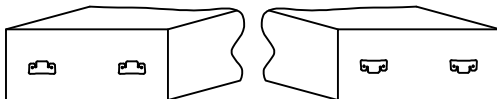
I
Screw
M6x20
8x



Left side
mount like
drawing



Right side
mount like
drawing



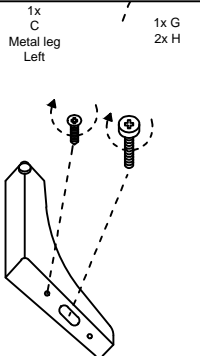
2

4x
A
Plastic leg

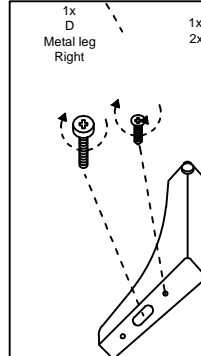
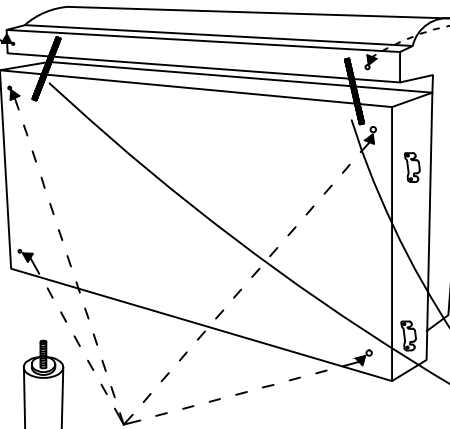
1x
C
Metal leg
Left

1x
D
Metal leg
Right

2x G
4x H



4x
A
Plastic leg



3

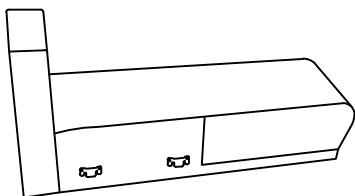
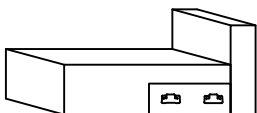
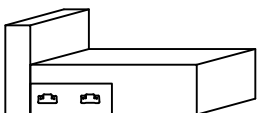
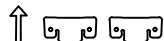
H
Metal
connector
4x

I
Screw
M6x20
8x

Left side
mount like
drawing



Right side
mount like
drawing

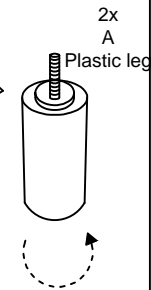
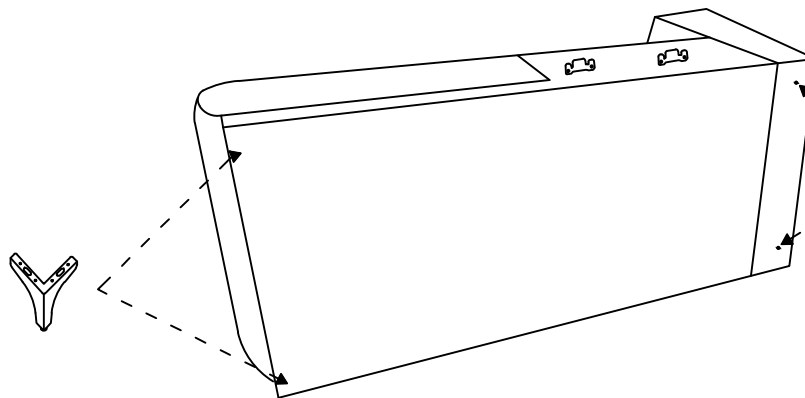
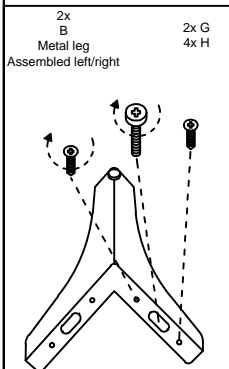


4

2x
A
Plastic leg

2x
B
Metal leg

2x G
4x H




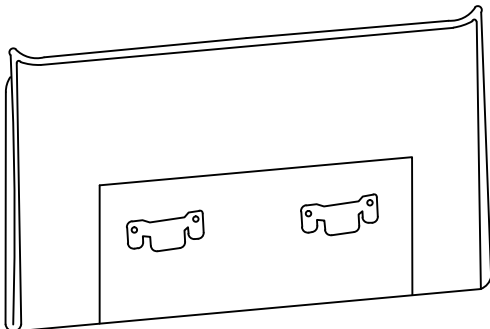
SORENTO

Assembly instruction

5

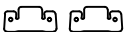
D Metal connector 2x
C Screw M6x20 4x

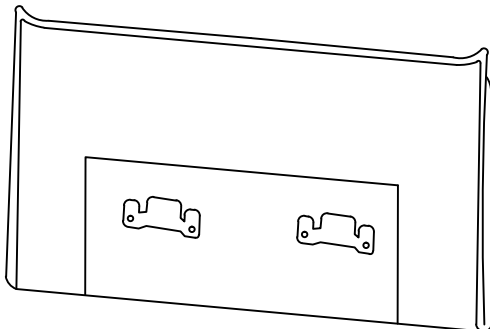
Left arm mount like drawing
↑ 



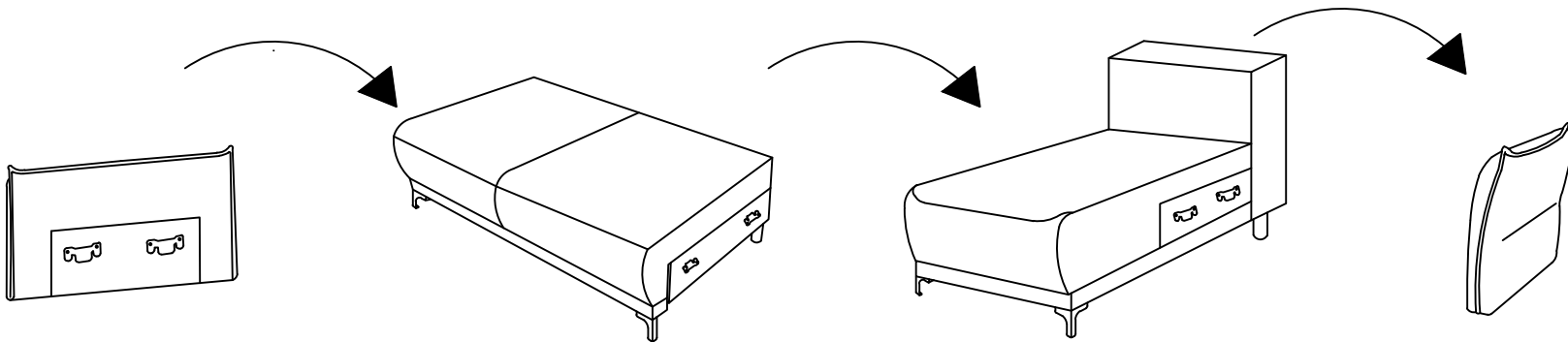
6

D Metal connector 2x
C Screw M6x20 4x

Right arm mount like drawing
 ↑

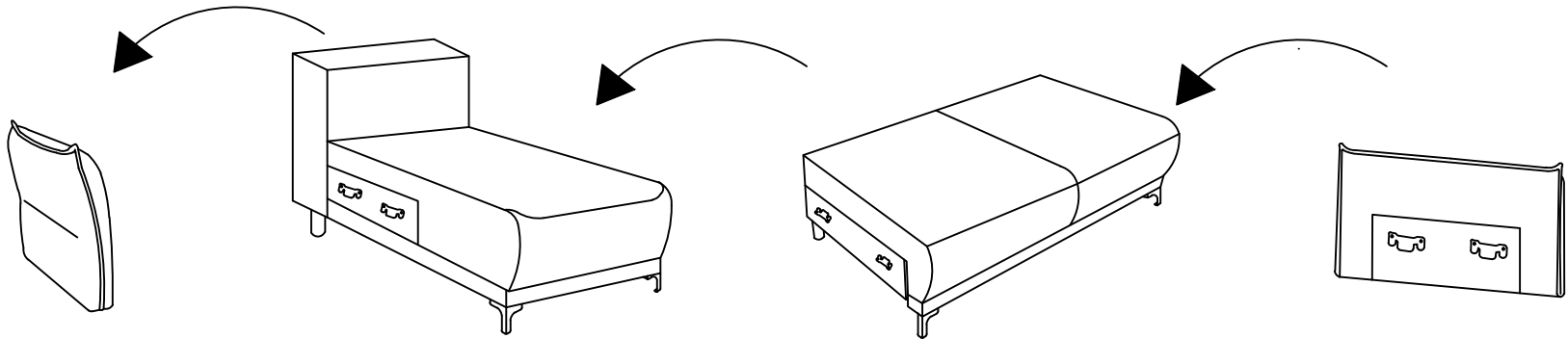


7 Right side

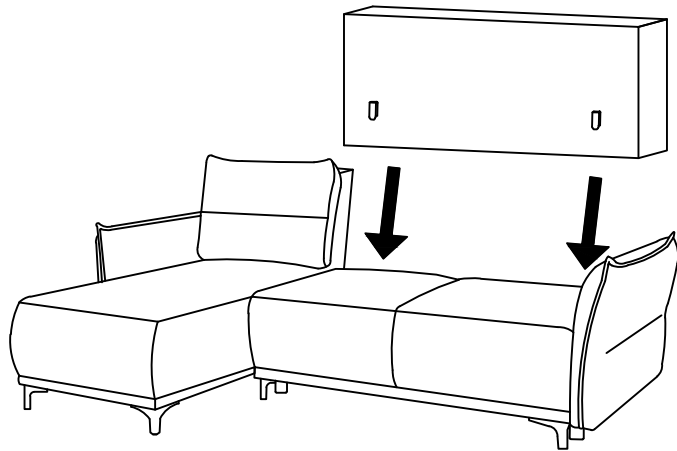


SORENTO
Assembly instruction

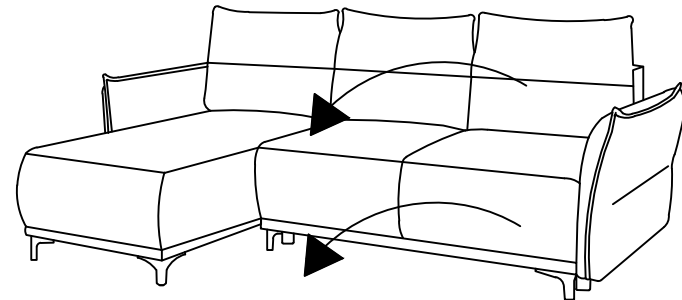
8 Left side



9

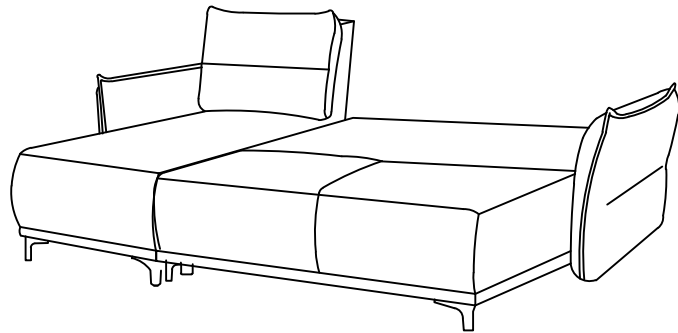


10



SORENTO
Assembly instruction

11



12

To get the best quality back cushions, they should be
patted by hand

